



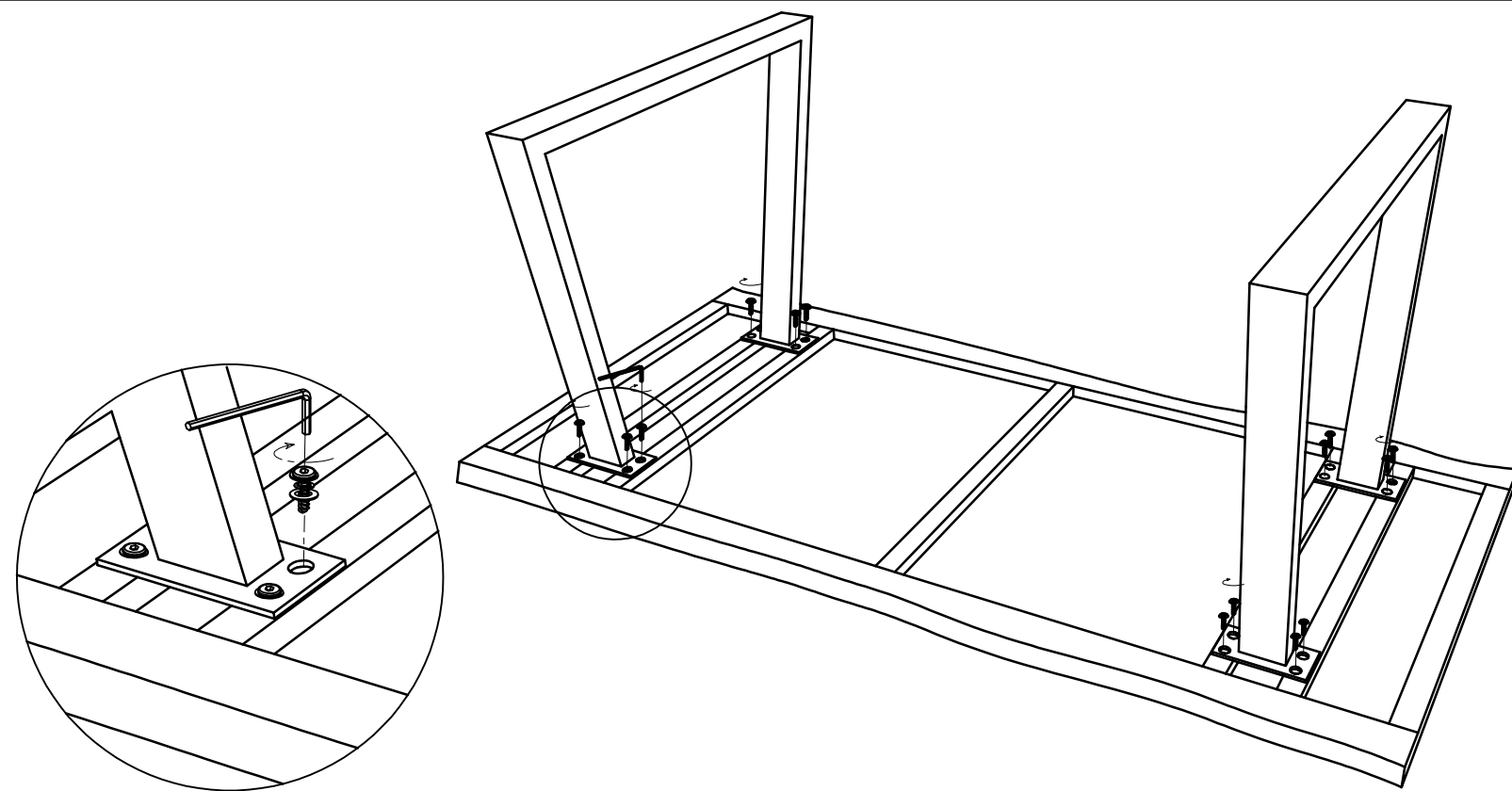
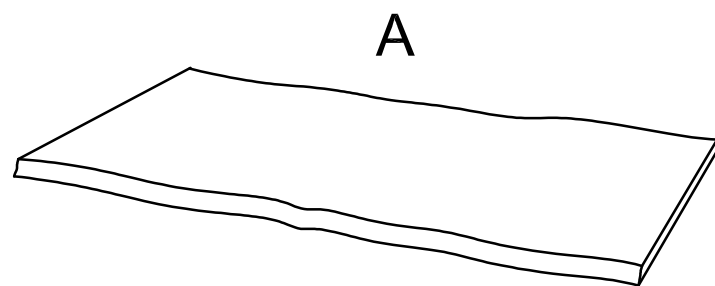
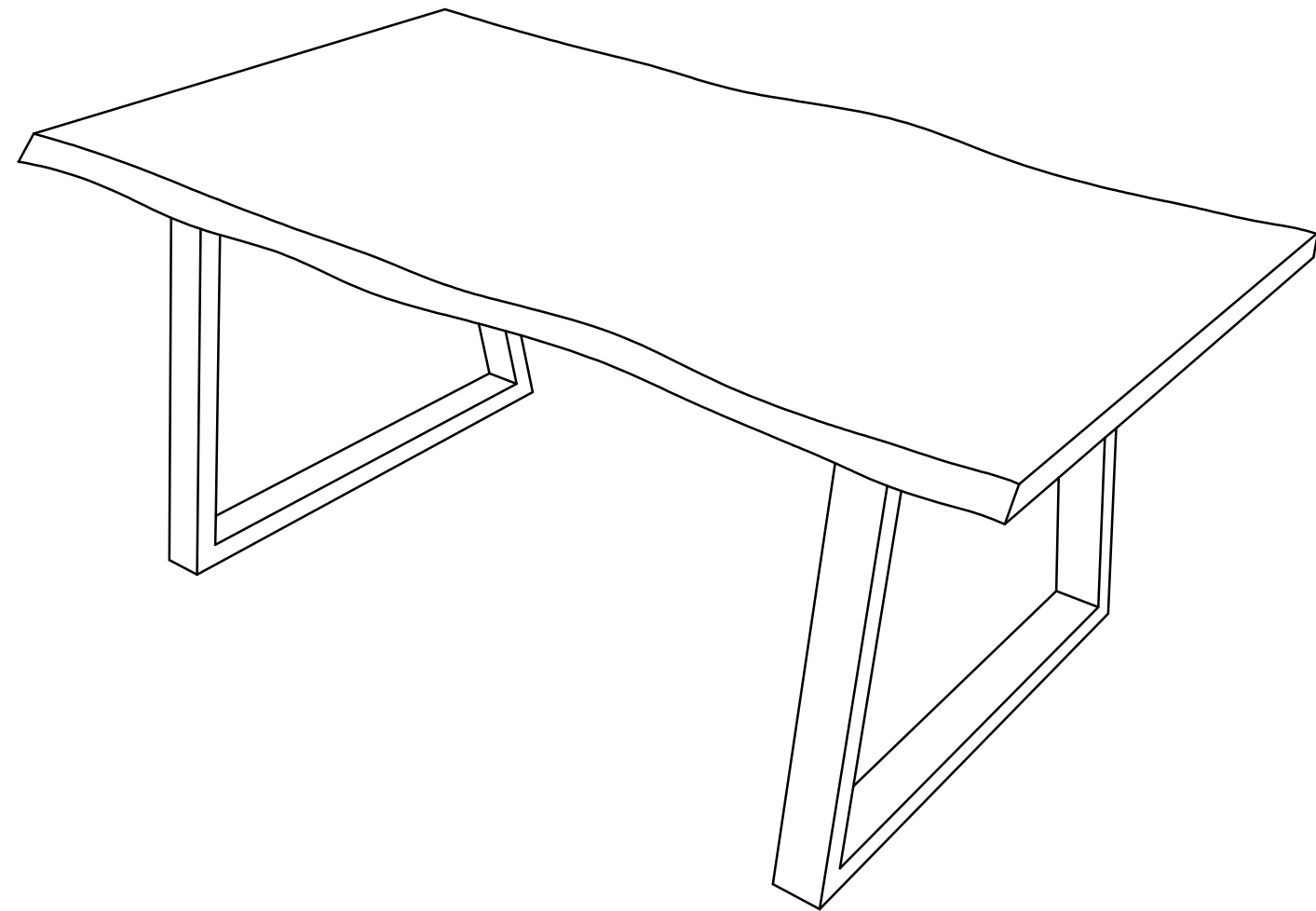
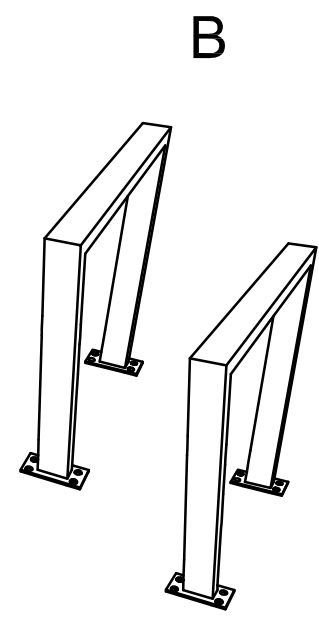


DINING TABLE

No	LIST OF HARDWARE	Q.TY(pcs)
1	Bolts 8 x20 	16
2	Flat Washers 8 	16
3	Spring Washers 8 	16
4	Allen key 	1



1











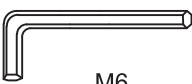

2

KUBU DINING CHAIR

Power tools NOT recommended

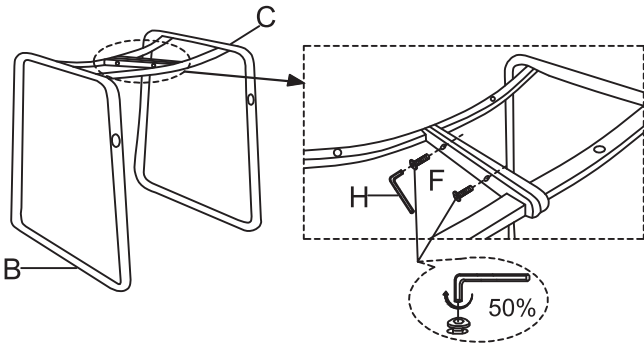
Hardware

Components

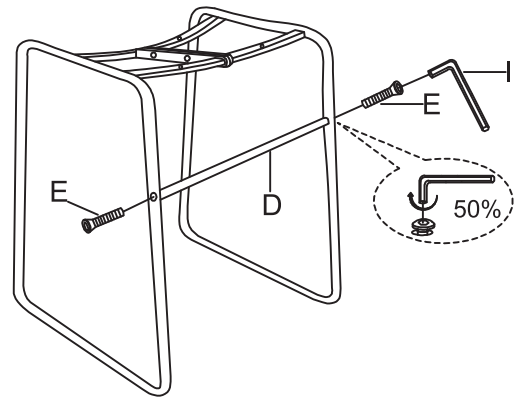
<p>Ax1</p> 	<p>Bx1</p> 	<p>Cx1</p> 	<p>Dx1</p> 		
<p>Ex2</p>  <p>M6 x 25</p>	<p>Fx2</p>  <p>M8 x 14</p>	<p>G1x2</p>  <p>M6 x 20</p>	<p>G2x2</p>  <p>M6 x 25</p>	<p>Hx1</p>  <p>M6</p>	<p>Ix1</p>  <p>M5</p>

Assembly Instructions

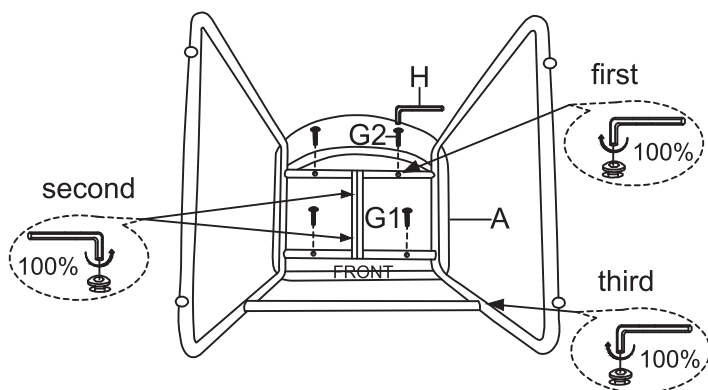
①



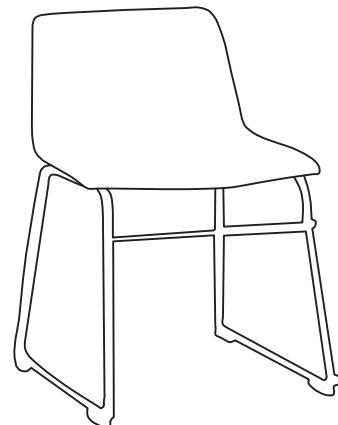
②







③

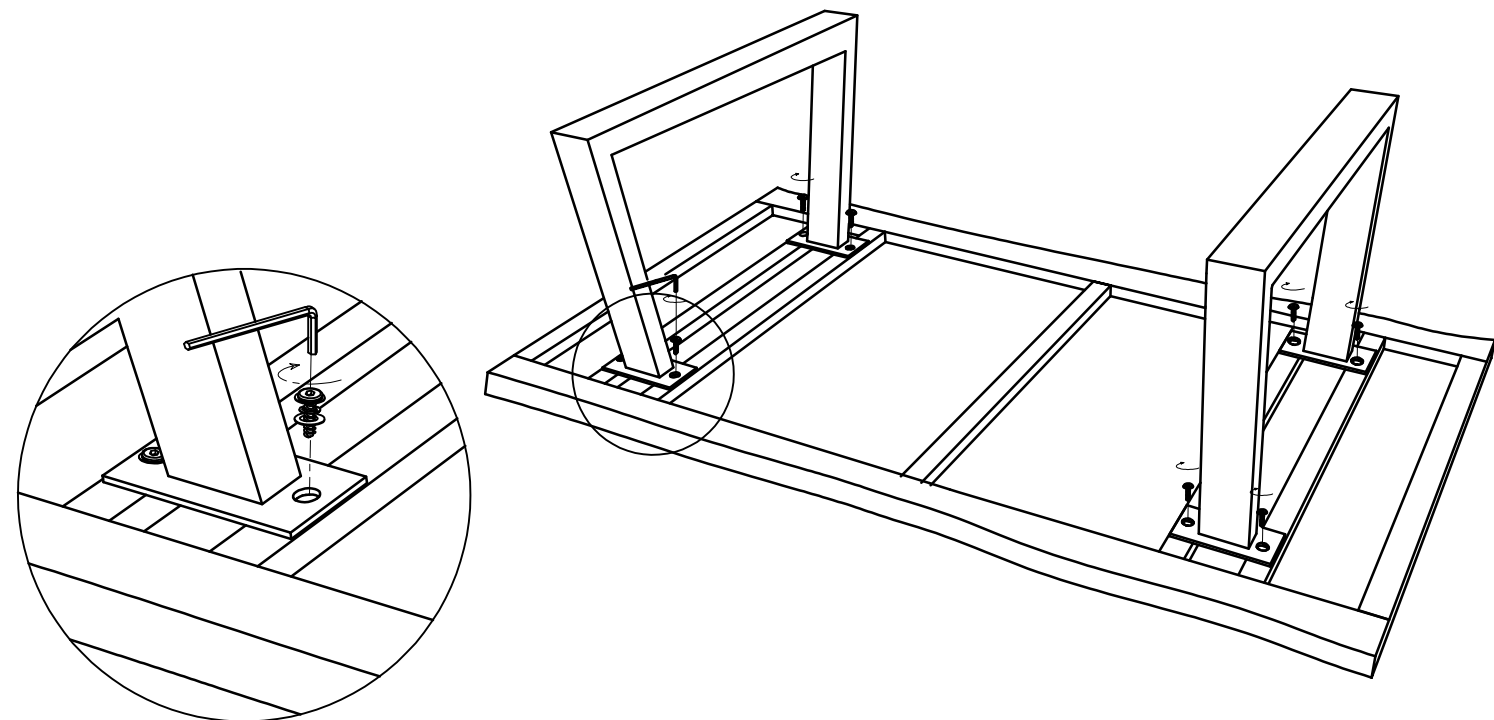


④

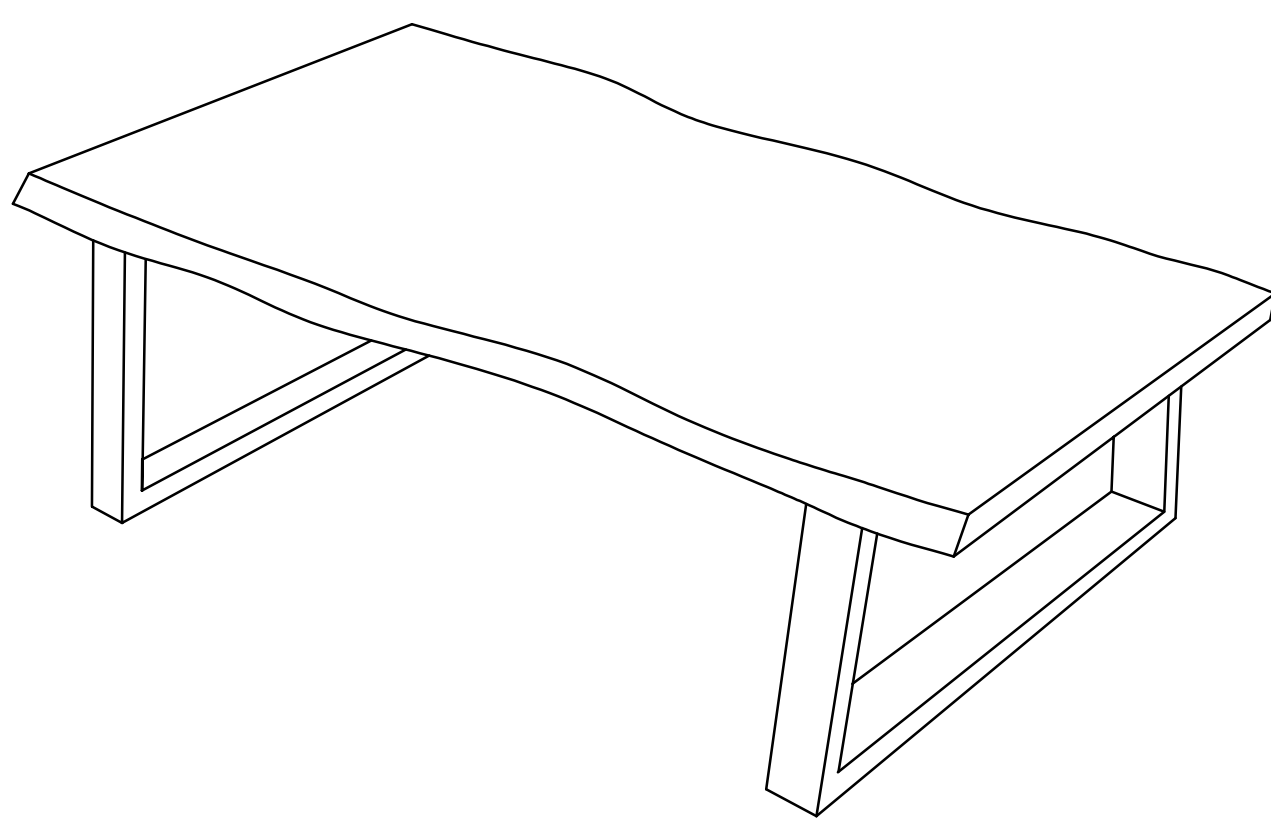
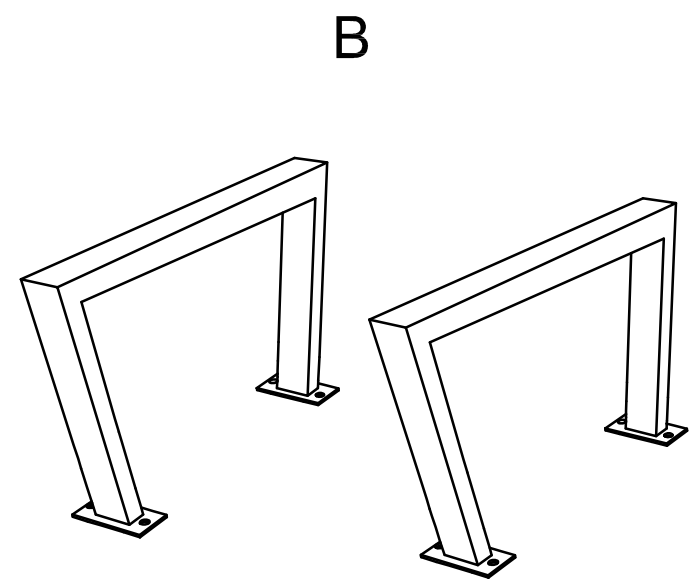
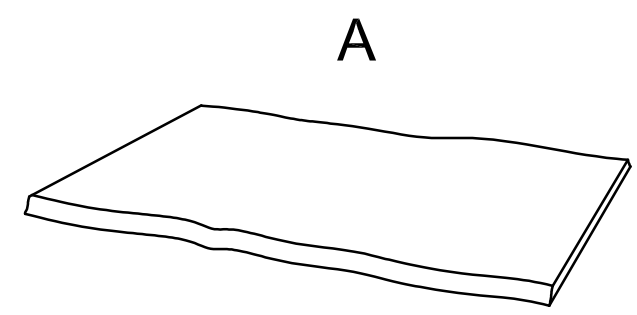


COFFEE TABLE

No	LIST OF HARDWARE	Q.TY(pcs)
1	Bolts 8 x20 	8
2	Plat Washers 8 	8
3	Spring Washers 8 	8
4	Allen key 	1







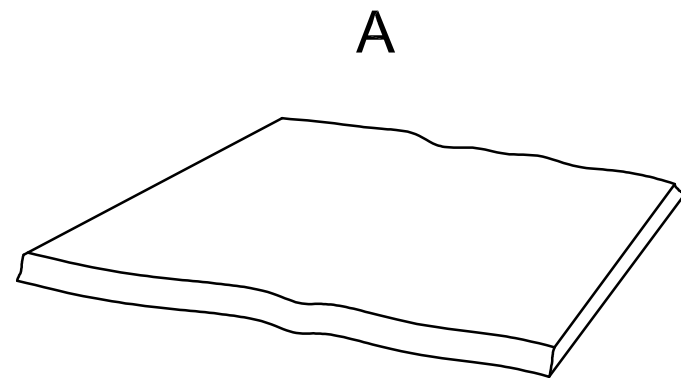
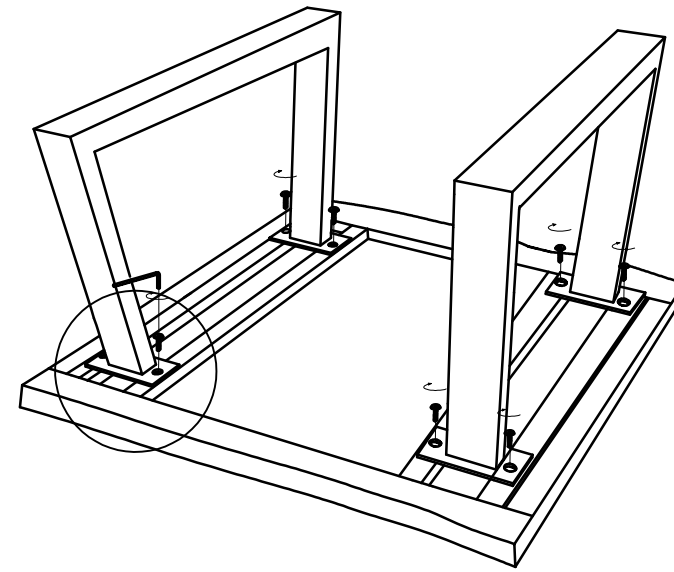
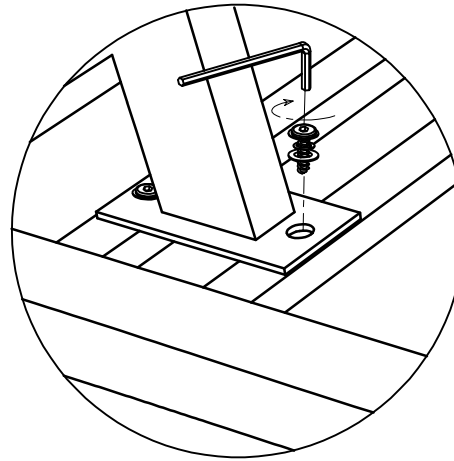
1



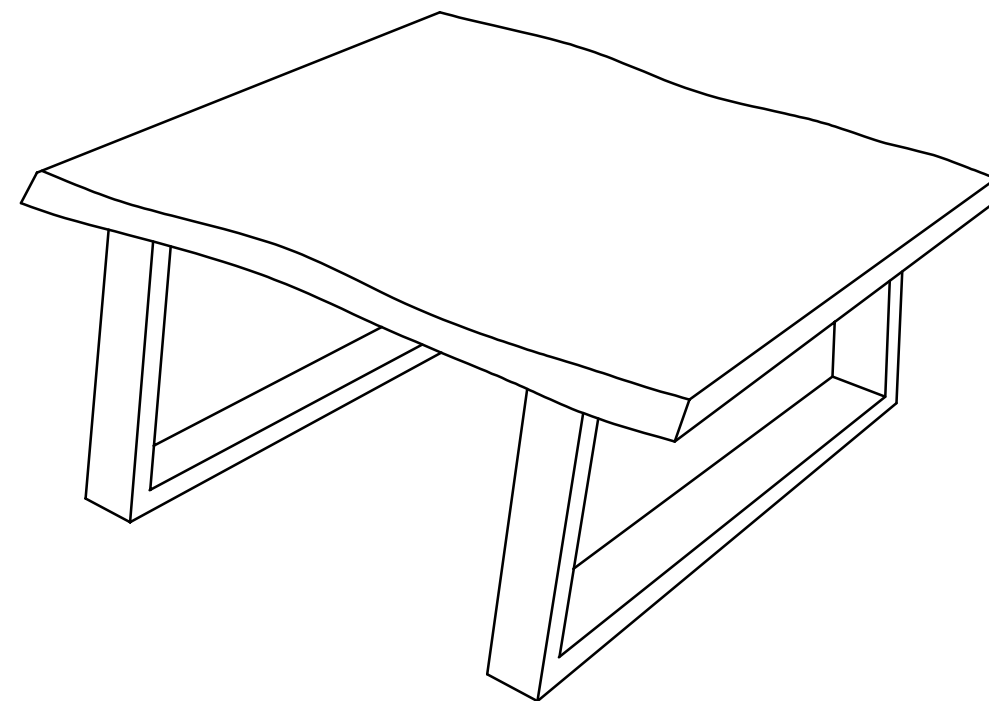
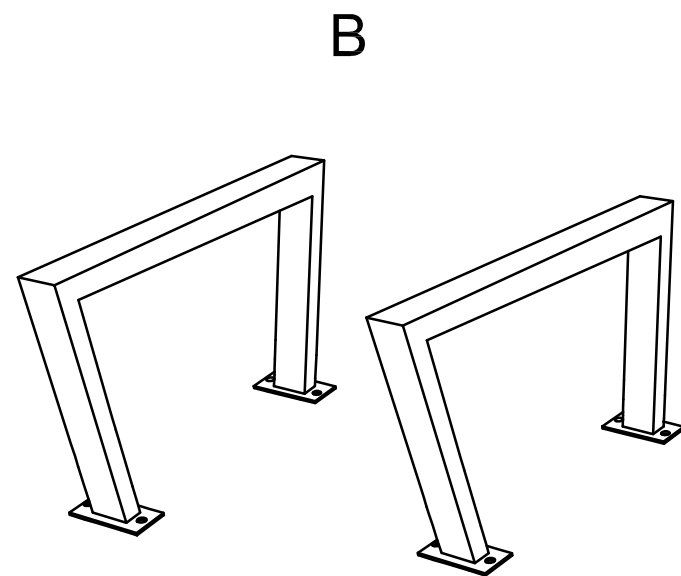
2

LAMP TABLE

No	LIST OF HARDWARE	Q.TY(pcs)
1	Bolts 8 x20 	8
2	Plat Washers 8 	8
3	Spring Washers 8 	8
4	Allen key 	1







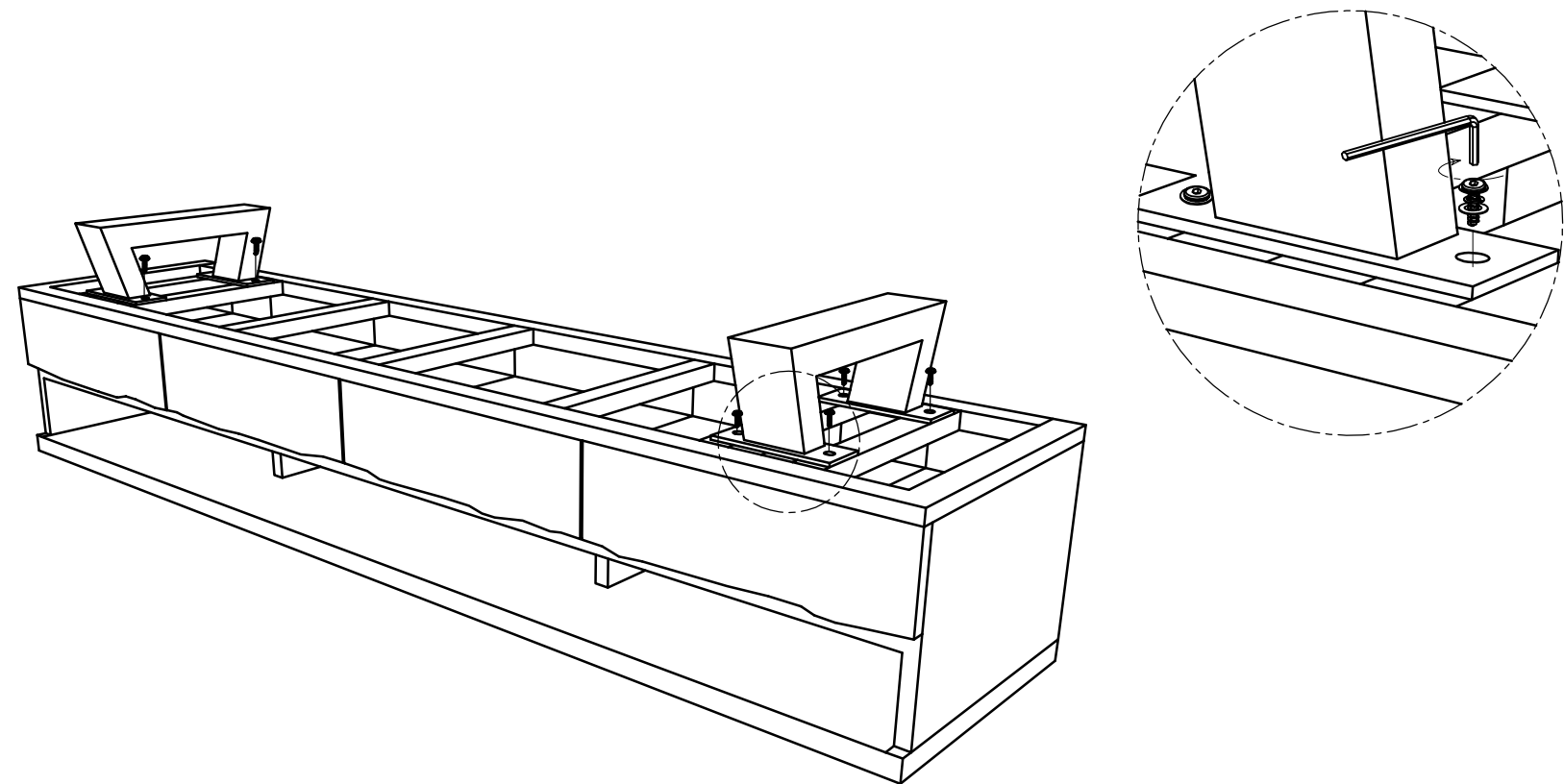
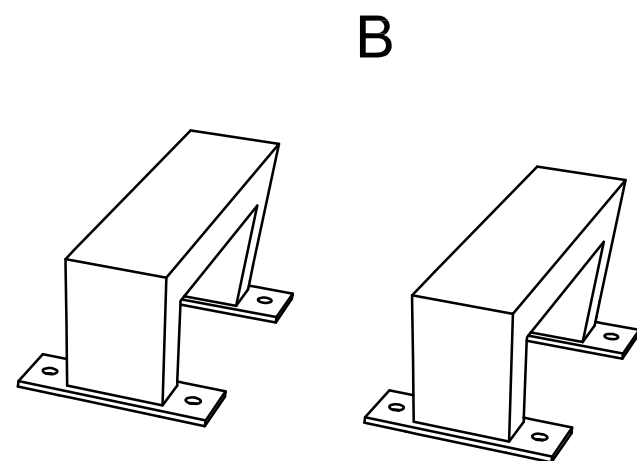
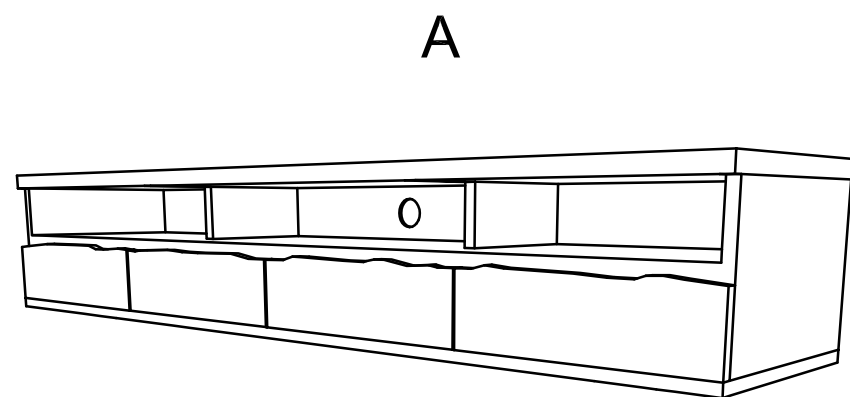
1



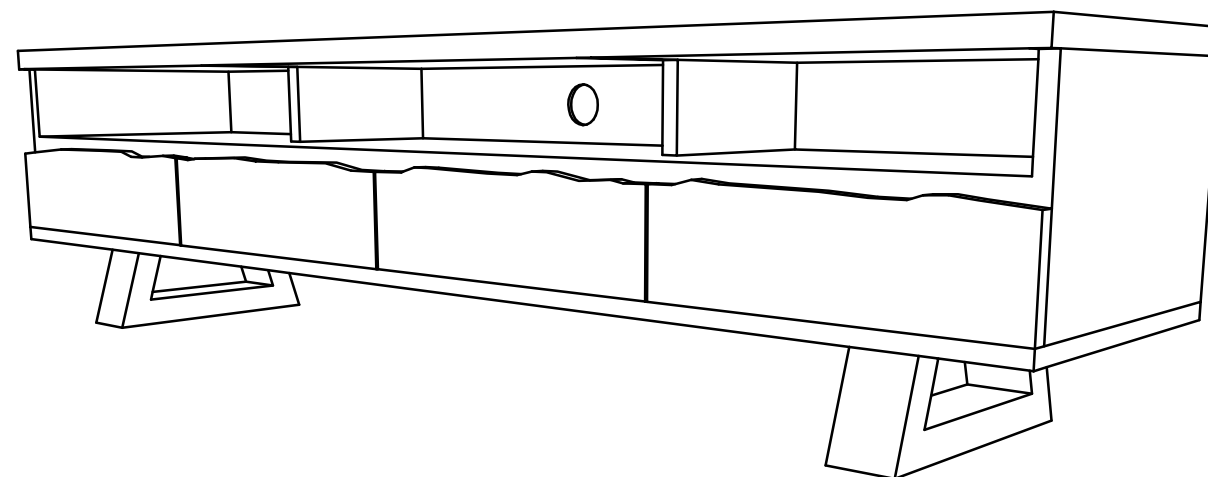
2

TV UNIT

No	LIST OF HARDWARE	Q.TY(pcs)
1	Bolts 8 x20 	8
2	Plat Washers 8 	8
3	Spring Washers 8 	8
4	Allen key 	1









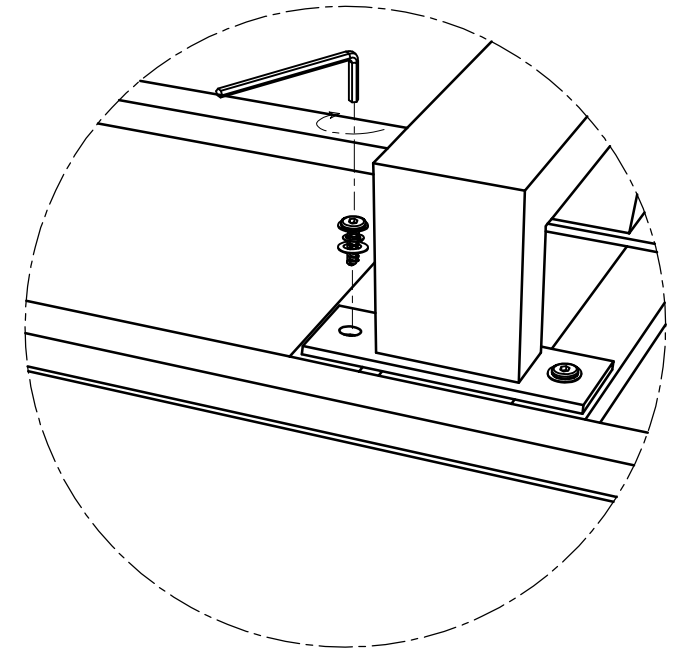
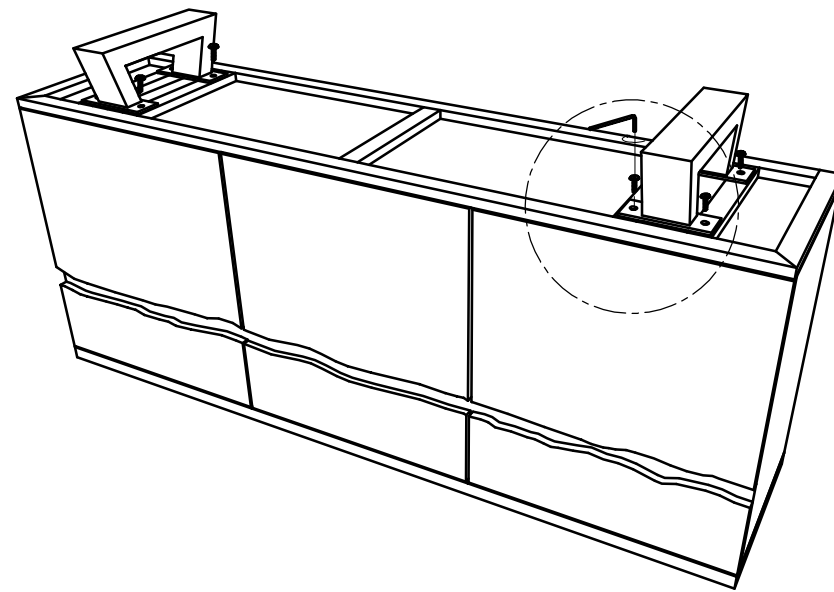
1



2

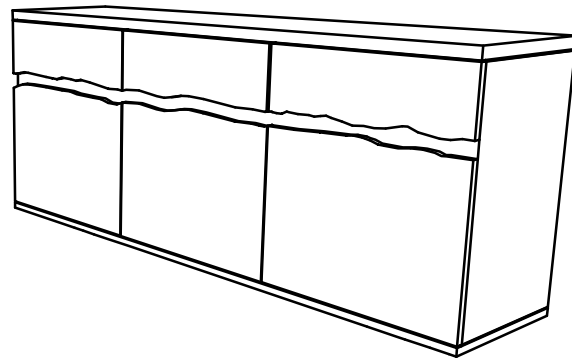
BUFFET

No	LIST OF HARDWARE	Q.TY(pcs)
1	Bolts 8 x20 	8
2	Plat Washers 8 	8
3	Spring Washers 8 	8
4	Allen key 	1
5	Screw 4x20	4
6	Wrench 	2
7	Tie 	1

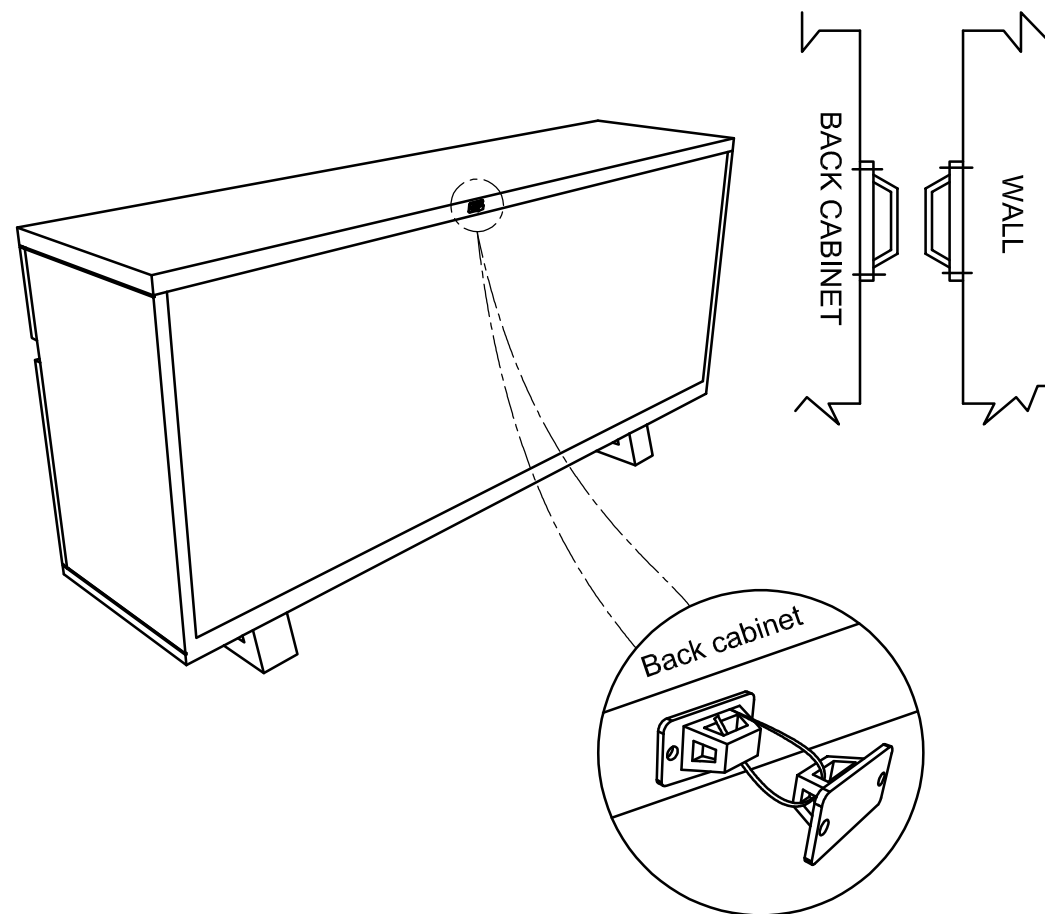
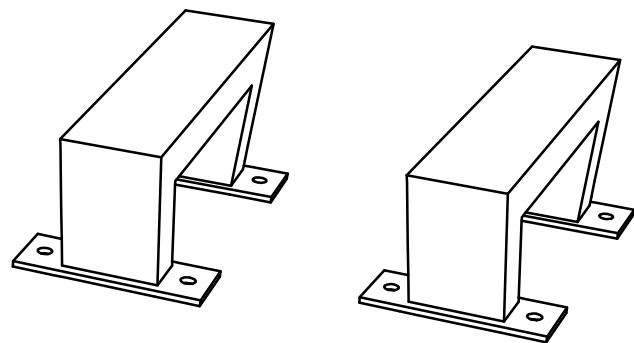


1

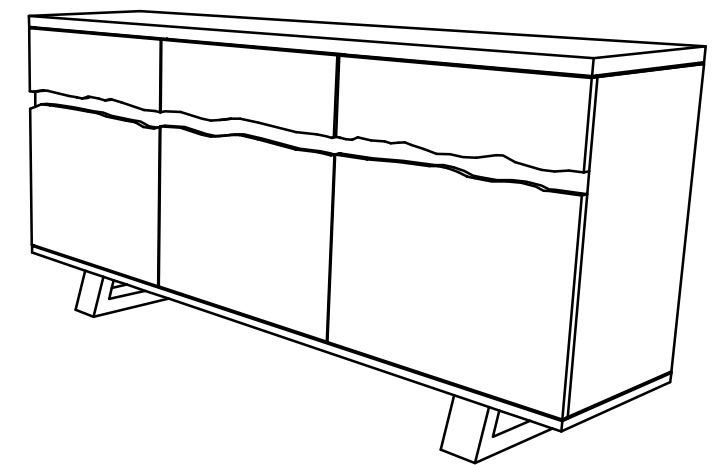
A



B



2



3